

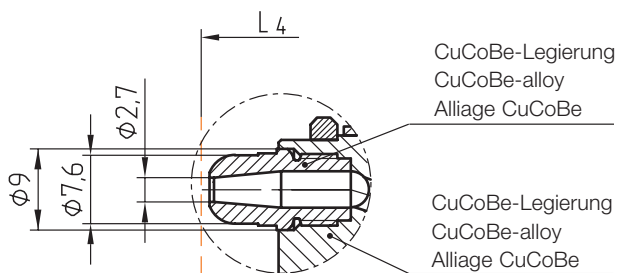
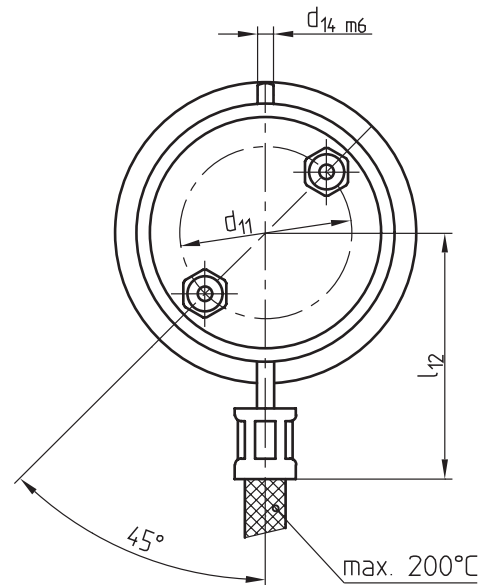
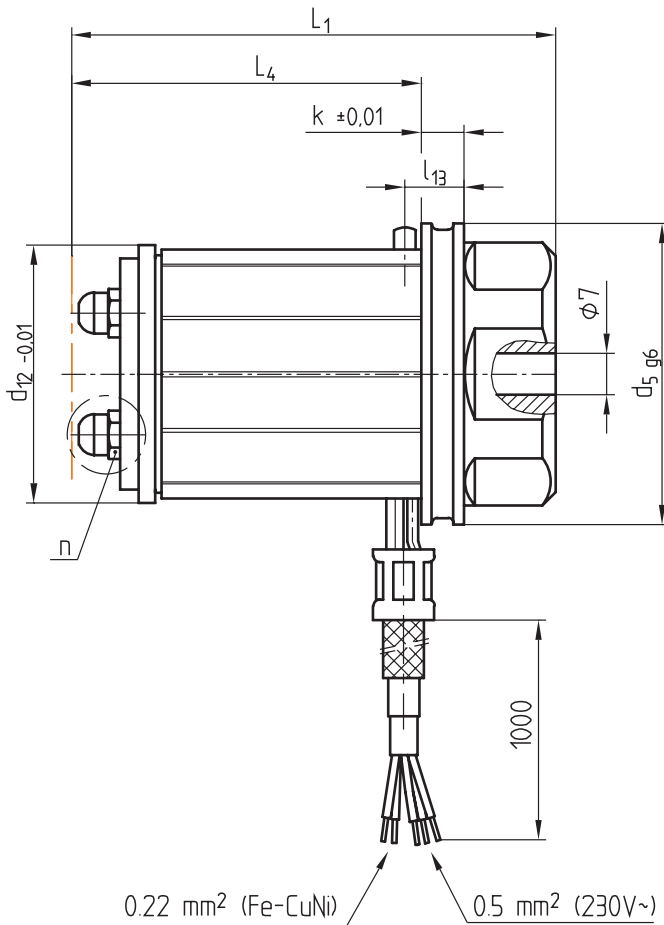
Z 10320/2/...

230 V~

+ = Fe-CuNi
- = Fe-CuNi



Info



max. °C	Watt	d ₅	d ₁₂	d ₁₄	k	l ₁₂	l ₁₃	L ₄	n	d ₁₁	L ₁	Nr./No.
280	630	45	36	3	5	46,5	7,5	54	2	20	75	Z 10320/2/20x75
	700	50	40			50		59		25	80	25x80
	850	56	48	4	8	53	11	65		32	90	32x90
	1000	67	56			56,5		70		40	95	40x95

This is trial version
www.adultpdf.com